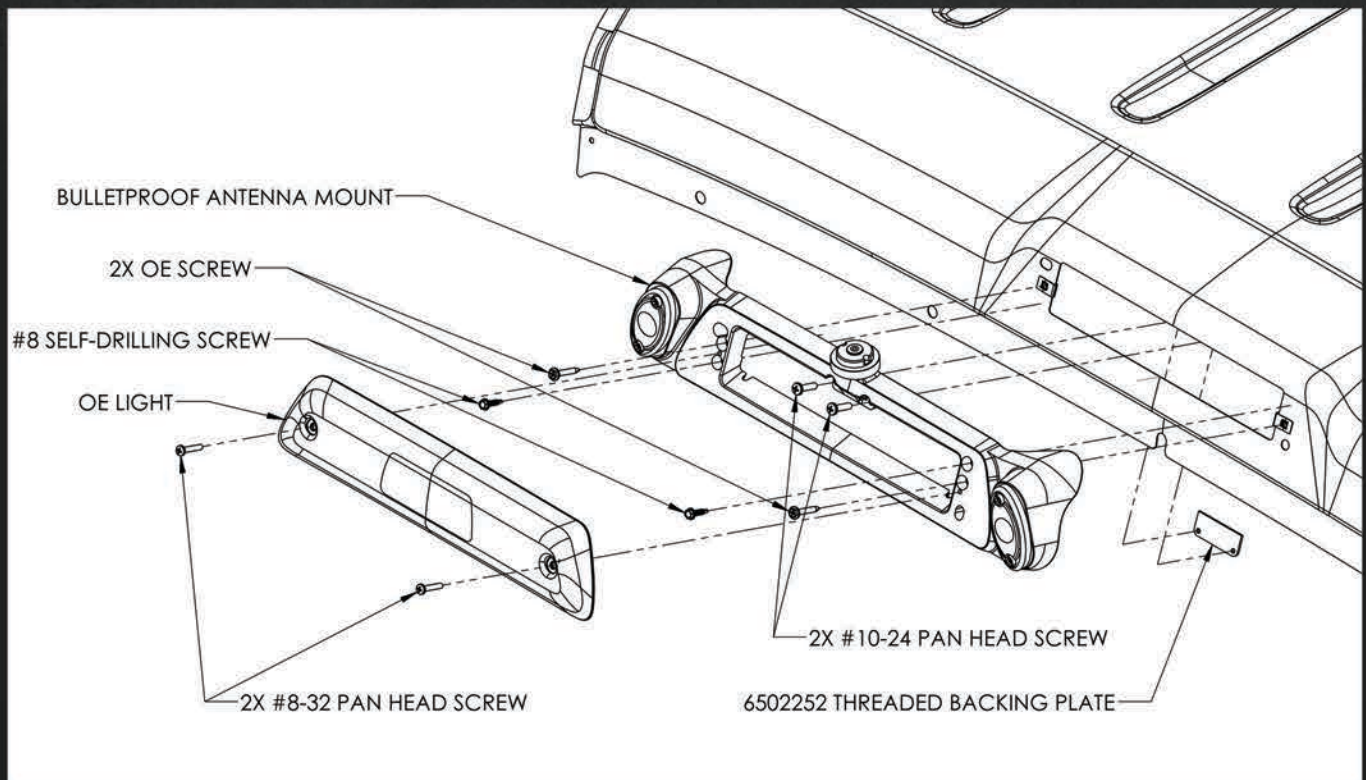


90201184, 90201185

THIRD BRAKE LIGHT ANTENNA MOUNT 2010-2014 FORD RAPTOR WITH LIGHTS



1. USING A NUT DRIVER (9/32" OR 7MM) OR A PHILLIPS SCREWDRIVER, REMOVE THE TWO (2) SCREWS THAT HOLD THE LIGHT HOUSING IN PLACE AND PULL IT AWAY FROM THE CAB. DISCONNECT THE WIRING HARNESS FROM THE HOUSING BY ROTATING THE BULBS COUNTER CLOCKWISE AND SAVE THEM FOR LATER. NEXT, UNPLUGGING THE CONNECTOR IN THE CENTER OF THE HOUSING.
2. ROUTE THE ANTENNA CABLES INTO THE CAB FOLLOWING THE PATH OF THE BRAKE LIGHT HARNESS. FROM INSIDE THE CAB, ACCESS THE CABLE AND ROUTE TO FINAL DESIRED LOCATION. ROUTE THE BULBS AND HARNESS THROUGH THE MIDDLE OF THE ANTENNA ADAPTER.
3. USING THE PREVIOUSLY REMOVED LIGHT HOUSING SCREWS, ATTACH THE ANTENNA ADAPTER UTILIZING THE FACTORY MOUNTING HOLES AND THREADED INSERTS IN THE CAB. TIGHTEN SCREWS. SEE EXPLODED VIEW ABOVE FOR CORRECT FACTORY SCREW LOCATION IN ANTENNA ADAPTER.
4. INSTALL THE STEEL THREADED BACKING PLATE (TOP CENTER OF ANTENNA ADAPTER) AS SEEN ON THE EXPLODED VIEW ABOVE AND FULLY TIGHTEN THE TWO (2) PROVIDED 10-24 PAN HEAD SCREWS. THIS BACKING PLATE HELPS TO SUPPORT THE TOP OF THE ANTENNA ADAPTER AND ANTENNA WHEN INSTALLED. THIS BACKING PLATE IS CRITICAL AND MUST BE INSTALLED.
5. WITH THE ANTENNA ADAPTER NOW IN PLACE, INSTALL THE TWO (2) PROVIDED #8 SELF DRILLING/TAPPING SCREWS INTO THE APPROPRIATE HOLES AS SHOWN IN THE EXPLODED VIEW ABOVE. YOU CAN INSTALL THESE SCREWS BY HAND USING A 1/4" NUT DRIVER. USE OF POWER TOOLS (POWER DRILL) CAN MAKE THE INSTALLATION OF THESE SCREWS EASIER, BUT USE EXTREME CAUTION BECAUSE YOU ARE WORKING NEAR A PAINTED SURFACE.
6. ATTACH THE BULBS AND THE POWER CONNECTION IN THE REVERSE ORDER OF REMOVAL.
7. POSITION THE ANTENNA CABLE WHERE IT WILL NOT INTERFERE WITH THE ROUTE THE HARNESS AND BACK OF THE LIGHT HOUSING TO AVOID INTERFERENCE WITH THE ANTENNA CABLE.
8. REINSTALL THE LIGHT HOUSING USING THE PROVIDED 8/32" MACHINE SCREWS.

@BULLETPROOFDESIGN



480.247.2331 • 888.967.6653 • bulletproofdiesel.com

